

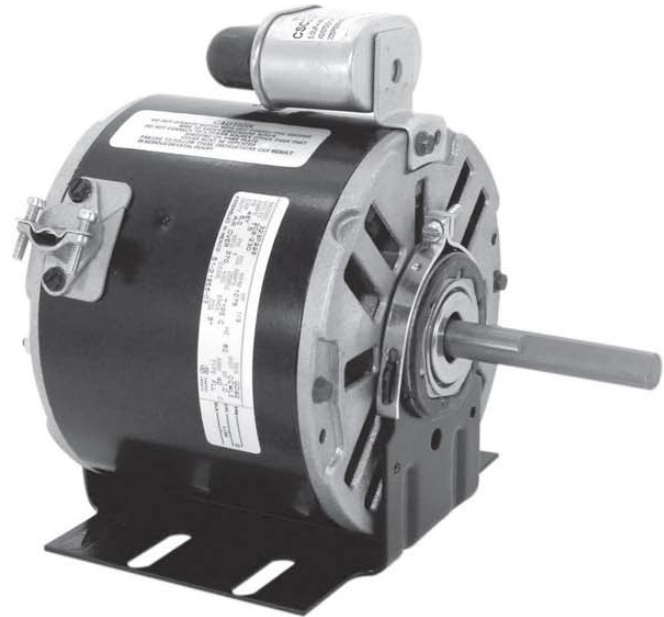
OEM REPLACEMENT MOTOR "For Hussman"



Stock No. OHS1016

Features:

- Permanent Split Capacitor
- Capacitor Included
- Sleeve Bearing
- Thermal Protection: Auto
- 60°C Ambient
- Single Phase
- 60 Hertz
- Insulation Class B
- Open, Air Over
- Resilient Base Mounted
- UL and CSA Approved
- See Reverse Side for Outline Drawing



Replacement for:

- GE 30091
- GE 5KCP39GG3611AS
- Fasco D805

Stock No.	HP	Volts	Amps	RPM	Speeds	Frame	HZ	Rotation	Capacitor	Wt.
OHS1016	1/5	230	1.6	1075	1	48Y	60	CWLE	Furnished	13

NOW AVAILABLE!
FAX OR PHONE YOUR ORDER TODAY!



A Regal Brand

REGAL

DEM REPLACEMENT FOR HUSSMAN

Stock No. OHS1016

CW
ROT.

