

# New Product Notification



Formerly A. O. Smith Electrical Products Company

## OEM REPLACEMENT FOR COPELAND CONDENSER FANS

Stock No. **OCP0250**  
Copeland Part No. 050-0250-00



### Replacement For:

- Emerson 6129
- Copeland 050-0250-00
- Century 322P914

Stock No. **OCP0251**  
Copeland Part No. 050-0251-00



### Replacement For:

- Emerson 6128
- Copeland 050-0251-00
- Century 322P913

### Replacement For Both:

- Direct OEM Replacement; No Modification Required
- Resilient Base Mount
- 50/60 HZ
- PSC with Mounted Capacitor
- Reliable Sleeve Bearings
- See Reverse Side for Outline Drawings

Stock No.	HP	Volts	RPM	Speeds	Frame	Amps	SF	Rotation	Wt.
<b>OCP0250</b>	1/4	230	1400/1625	1	42Y	1.5	1.0	CWLE	12
<b>OCP0251</b>	1/6	230	1400/1625	1	42Y	1.5	1.0	CWLE	11

**NOW AVAILABLE!**  
**FAX OR PHONE YOUR ORDER TODAY!**

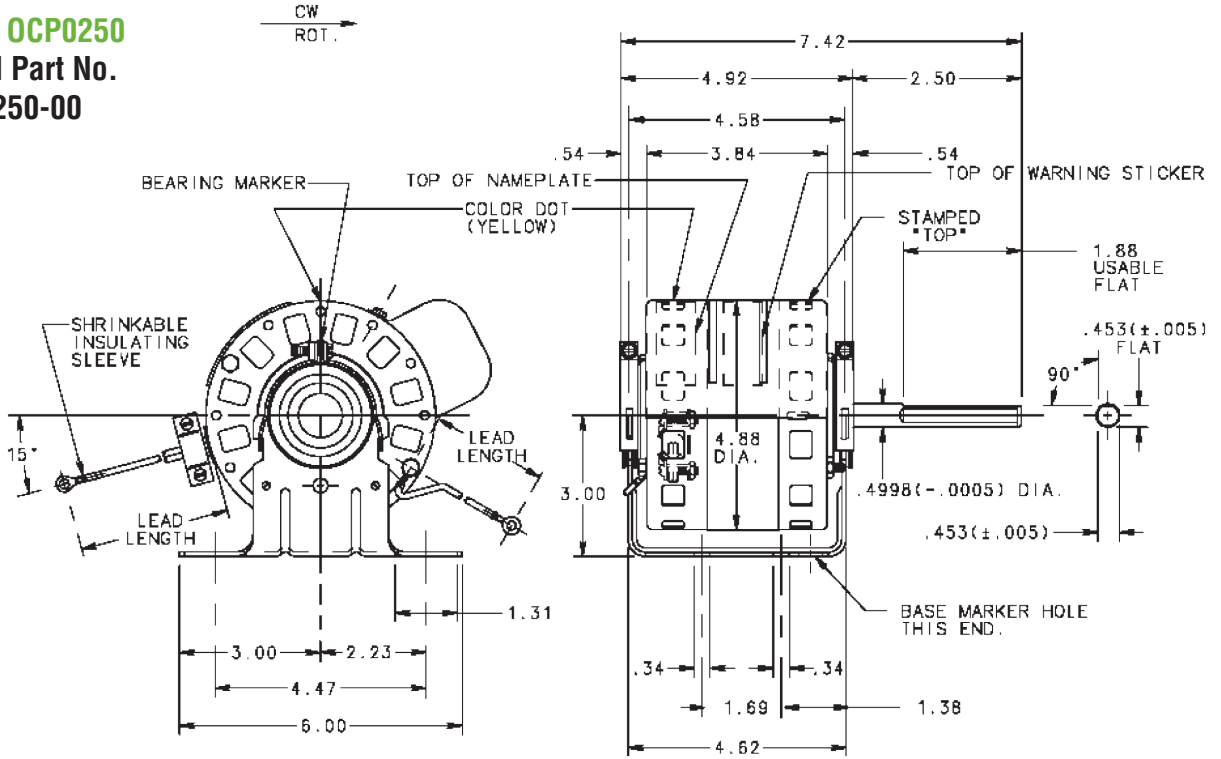


A Regal Brand

**REGAL**

# LINE DRAWINGS OEM REPLACEMENT FOR COPELAND CONDENSER FANS

**Stock No. OCP0250**  
**Copeland Part No.**  
**050-0250-00**



**Stock No. OCP0251**  
**Copeland Part No.**  
**050-0251-00**

