

New Product Notification



Formerly A. O. Smith Electrical Products Company

OEM REPLACEMENT MOTOR "For Krack Condenser Fans"



Stock No. **OKR1096**
Krack No. 11096



Replacement for:
Krack 11096
Magnetek/Century 150372

Features For Both:

- For Krack Unit DT and ACD
- Direct OEM Replacement;
 No Modifications Required
- Double Sealed Ball Bearings
- Class B Insulation
- 5/8" Diameter Shaft
- Three Phase; Electrically Reversible
- See Reverse Side for Outline Drawings

Stock No. **OKR1503**
Krack No. 11503



Replacement for:
Krack 11503
Magnetek/Century 151437

| Stock No. | HP | Volts | Amps | RPM | Frame | SF | Ambient | Overload | Wt. |
|-----------|-----|-------------|-------------|------|-------|-----|---------|----------|-----|
| OKR1096 | 1/2 | 460/208-230 | .95/2.0-1.9 | 1140 | 56Y | 1.0 | 40°C | Auto | 25 |
| OKR1503 | 1 | 460/208-230 | 2.0/4.4-4.0 | 850 | 56Y | 1.0 | 60°C | Auto | 34 |

NOW AVAILABLE!
FAX OR PHONE YOUR ORDER TODAY!



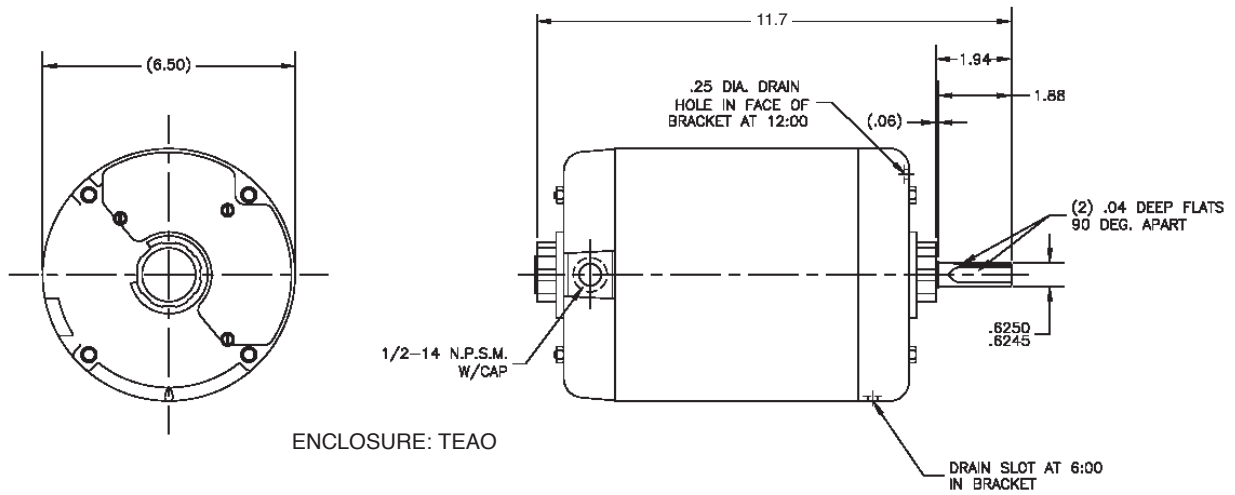
A Regal Brand

REGAL

OEM REPLACEMENT FOR KRACK CONDENSER FANS

STOCK NO. OKR1096

KRACK NO. 11096



OEM REPLACEMENT FOR KRACK CONDENSER FANS

STOCK NO. OKR1503

KRACK NO. 11503

