

## OEM REPLACEMENT MOTOR "For Krack"

**New!**

**INCLUDES  
QUICK CONNECT  
OEM PLUG**



### Features For Both:

- Direct OEM Replacements:  
No Modifications Required
- Shaded Pole
- Sleeve Bearing
- Thermally Protected
- 40°C Ambient
- Single Phase
- 50/60 Hertz
- Insulation Class B
- Enclosed
- Lug Mount
- Lead and Plug Assembly
- UL and CSA Approved
- See Reverse Side for Outline Drawing

**Stock No. 9627**  
**Krack No. 11528 (115V)**

**Replacement for:**  
Century JA2P216  
Emerson 9654 (115/230V)  
Fasco 8254111030  
Fasco D1189 (115/230V)  
Krack 11528

**Stock No. 9628**  
**Krack No. 11529 (200-230V)**

**Replacement for:**  
Century JA2P217  
Century JA2S149  
Emerson 9654 (115/230V)  
Fasco 8254160210  
Fasco D1189 (115/230V)  
Krack 11529

Stock No.	HP	Volts	Amps	RPM	Speeds	Frame	HZ	Rotation	Wt.
9627	1/25	115	1.5/1.3	1250/1550	1	3.3	50/60	CWSE	4.5
9628	1/20	200-230	0.90	1550	1	3.3	50/60	CWSE	5.5

**NOW AVAILABLE!  
FAX OR PHONE YOUR ORDER TODAY!**

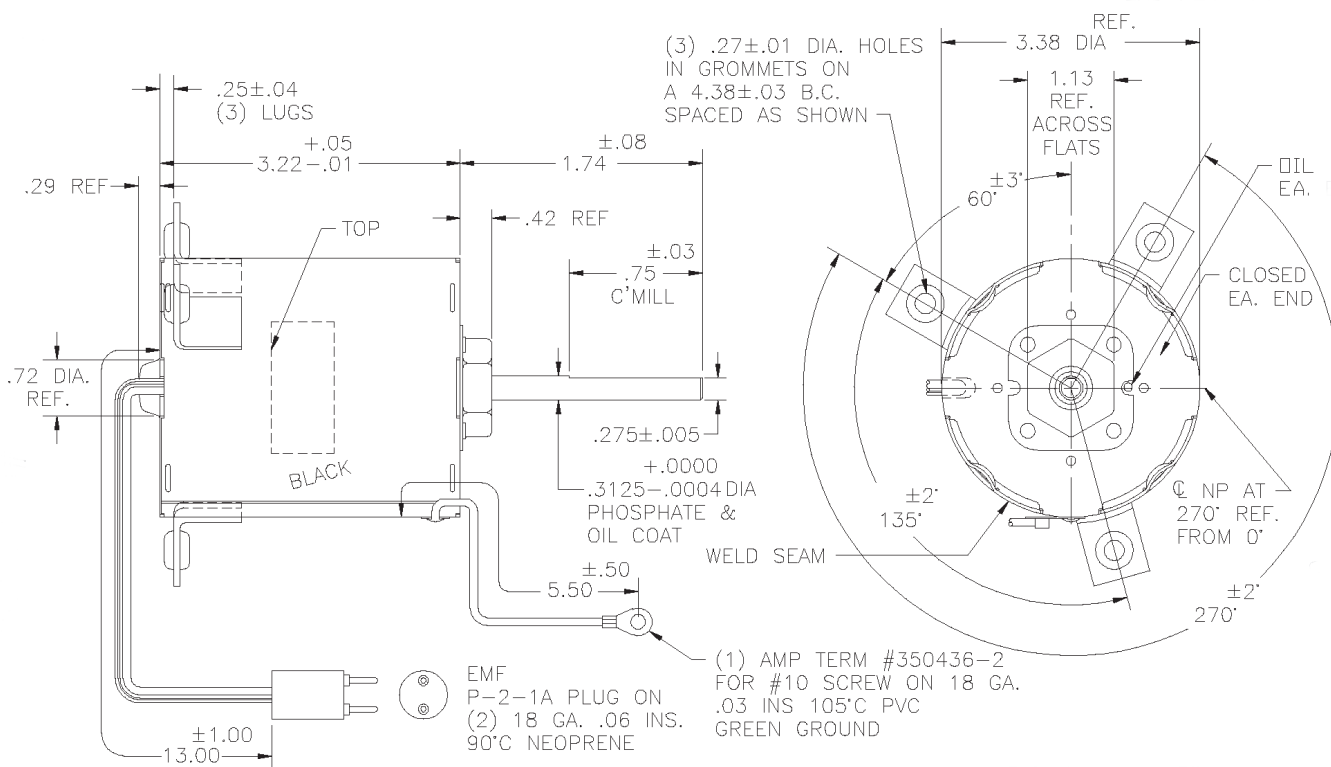
A Regal Brand

**REGAL**



# OEM REPLACEMENT FOR KRACK

STOCK NO. 9627



# OEM REPLACEMENT FOR KRACK

STOCK NO. 9628

