

## OEM REPLACEMENT MOTOR "For Krack"



**USES  
ORIGINAL  
OEM CONNECTION**



### Features For Both:

- Direct OEM Replacements:  
No Modifications Required
- Shaded Pole
- Sleeve Bearing
- Thermally Protected
- 40°C Ambient
- Single Phase
- 50/60 Hertz
- Insulation Class A
- Enclosed
- Lug Mount
- UL and CSA Approved
- See Reverse Side for Outline Drawing

**Stock No. 9629**  
**Krack No. 11510 (115V)**

**Replacement for:**  
**Century JA2P228**  
**Fasco 8254110680**  
**Fasco D1158 (115/230V)**  
**Krack 11510**

**Stock No. 9630**  
**Krack No. 11511 (200-230V)**

**Replacement for:**  
**Century JA2P229**  
**Fasco 8254160150**  
**Fasco D1158 (115/230V)**  
**Krack 11511**

Stock No.	HP	Volts	Amps	RPM	Speeds	Frame	HZ	Rotation	Wt.
9629	1/25	115	1.5/1.3	1250/1550	1	3.3	50/60	CWSE	4.5
9630	1/20	208-230	0.8/0.7	1250/1550	1	3.3	50/60	CWSE	4.5

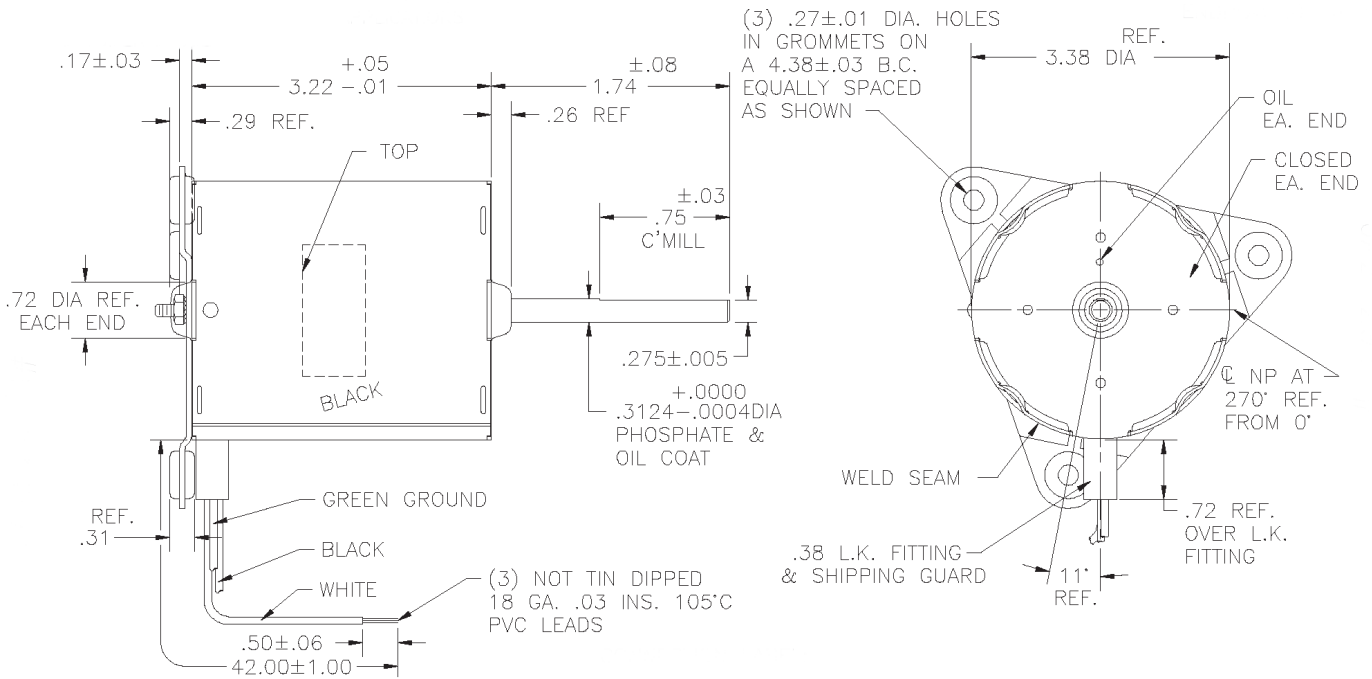
**NOW AVAILABLE!**  
**FAX OR PHONE YOUR ORDER TODAY!**

A Regal Brand



# OEM REPLACEMENT FOR KRACK

## STOCK NO. 9629



# OEM REPLACEMENT FOR KRACK

## STOCK NO. 9630

