

OEM REPLACEMENT MOTOR "For Krack"



**INCLUDES
QUICK CONNECT
OEM PLUG**



Features For Both:

- Direct OEM Replacements:
 No Modifications Required
- Permanent Split Capacitor
- Capacitor Included
- Sleeve Bearing
- Thermally Protected
- 40°C Ambient
- Single Phase
- 50/60 Hertz
- Insulation Class B
- Open
- Stud Mount
- Lead and Plug Assembly
- UL and CSA Approved
- See Reverse Side for Outline Drawing

Stock No. 9633
Krack No. E206447 (115V)

Replacement for:
Century JE2F029
Krack E206447

Stock No. 9634
Krack No. E206448 (200-230V)

Replacement for:
Century JE2F030
Krack E206448

Stock No.	HP	Volts	Amps	RPM	Speeds	Frame	HZ	Rotation	Wt.
9633	1/15	115	0.8/0.7	1350/1640	1	3.3	50/60	CWSE	4.25
9634	1/15	208-230	0.4/0.3	1350/1640	1	3.3	50/60	CWSE	4.25

NOW AVAILABLE!
FAX OR PHONE YOUR ORDER TODAY!

A Regal Brand

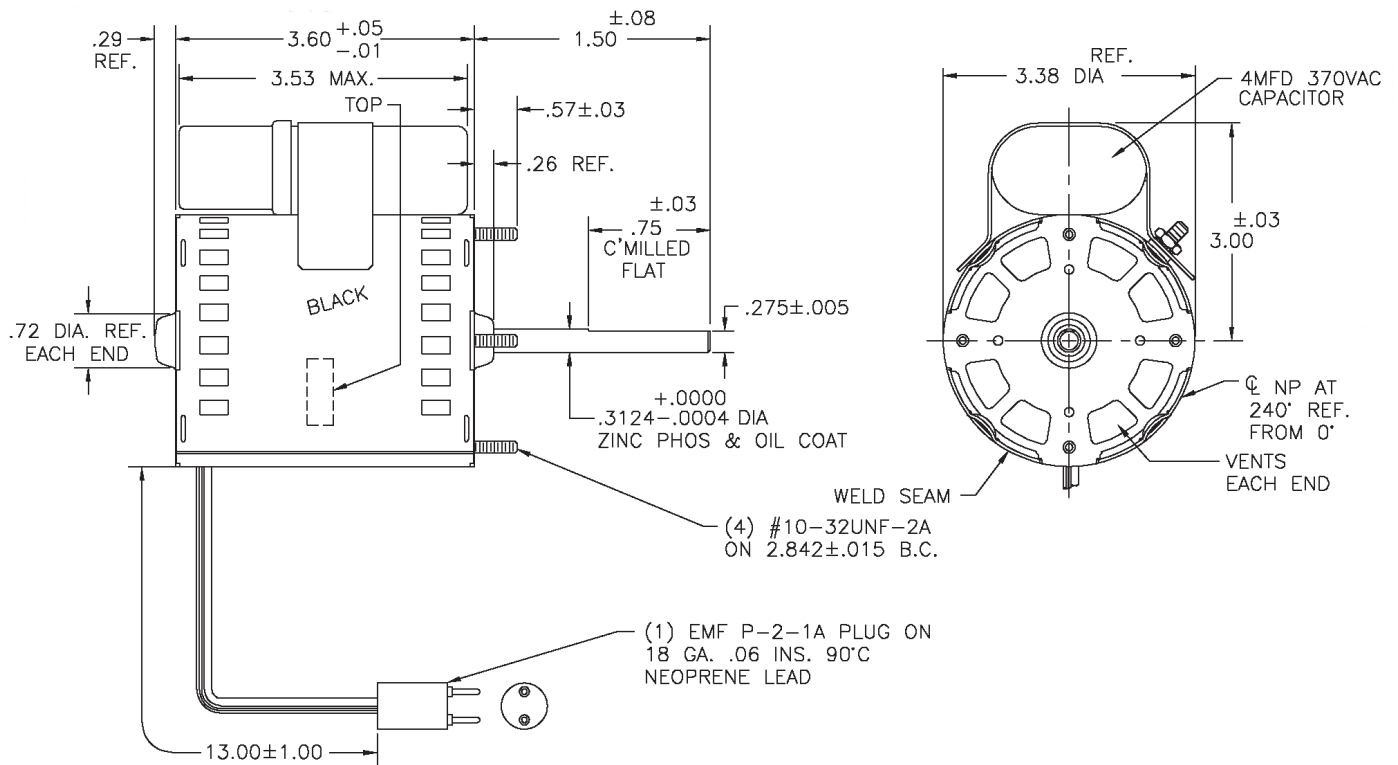


REGAL



OEM REPLACEMENT FOR KRACK

STOCK NO. 9633



OEM REPLACEMENT FOR KRACK

STOCK NO. 9634

