

New Product Notification



Formerly A. O. Smith Electrical Products Company

“Breakthrough Motor Design Offers Huge Energy Savings For The Refrigeration Market”

New Design!
For Evaporator & Condenser Application

Stock No. 9207F2, 9208F2



9 & 16 WATT
Replaces 6-16 watt PSC & low efficiency shaded pole motors

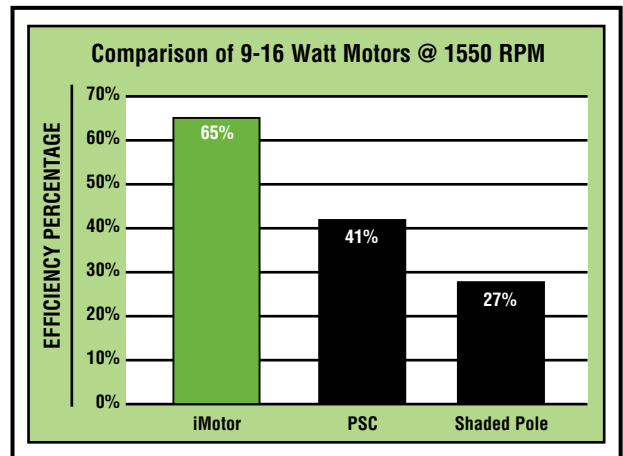
Direct Drop-in Replacement for supermarket case evaporator fans and condenser units.

Features:

- ✓ Advanced ECM Design
- ✓ Rain Shield
- ✓ Cast Iron
- ✓ 15” Leads
- ✓ Lyall Plug
- ✓ UL/CUL Approved E128044
- ✓ Up to 65% Efficiency
- ✓ Wide temperature range oil for use in evaporators and condensers
- ✓ Tapped & Drilled Mounting Holes
 - Evaporator Mount Standard 3-hole
 - Hussmann 4-hole style
 - Condenser Mount-Double Boss



(Energy Savings ECM Design)



Stock No.	Watts	Volts	Amps	ROT OSE	RPM
9207F2	6, 9, 12	115	.20 - .30	CW	1550
9208F2	14, 15, 16	115	.47 - .58	CW	1550

A Regal Brand

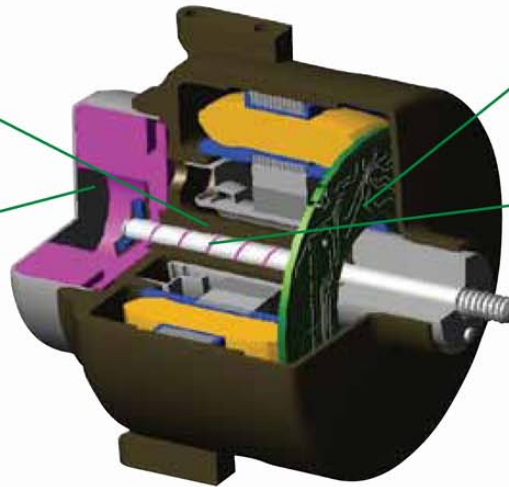


Evaporator Fan Replacement For Hussman, Hill & Kysor

Stock No. 9207F2, 9208F2

Cast iron bearing and housing for long life and reliability

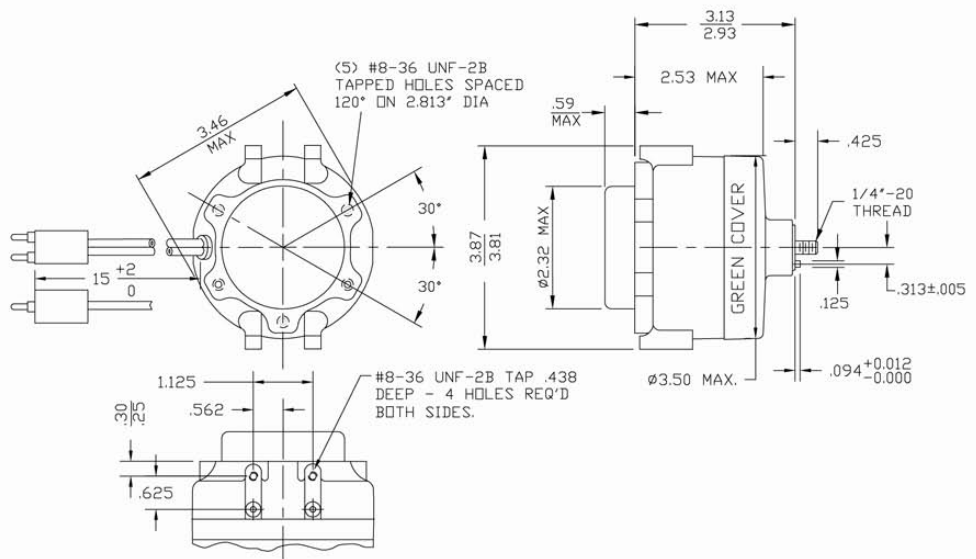
High capacity oil reservoir continuously supplies cooled, filtered oil thru the bearing.



Electronic control board

Spiral grooved shaft is the heart of the positive pumping system, assuring thick film lubrication for extended bearing life.

“The iMotor refrigeration motor uses less wattage to achieve the same airflow as a shaded pole motor, so it produces less heat. Fewer BTU’s in the system means less work and wear for the compressor for even greater savings.”



Annual KWH Savings For a Typical 9W or 16W Motor

Motor Output	Shaded Pole Watts In	iMotor Watts In	Annual KWH Saved
9 Watts	51.8	17.7	298.7
16 Watts	64.0	27.0	324.0

A Regal Brand

REGAL

