



Formerly A. O. Smith Electrical Products Company
A Regal Brand

Green Choice[®]

Eco-Friendly Electric Motors

for Refrigeration Applications



iMotor® Supermarket Case Evaporator Fan Motor

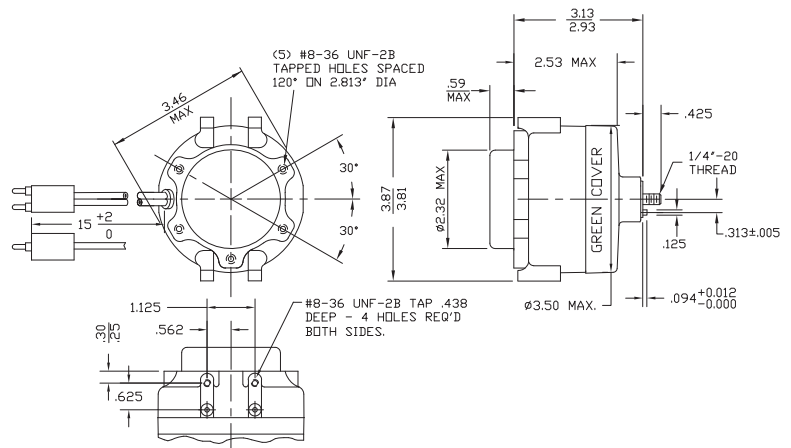
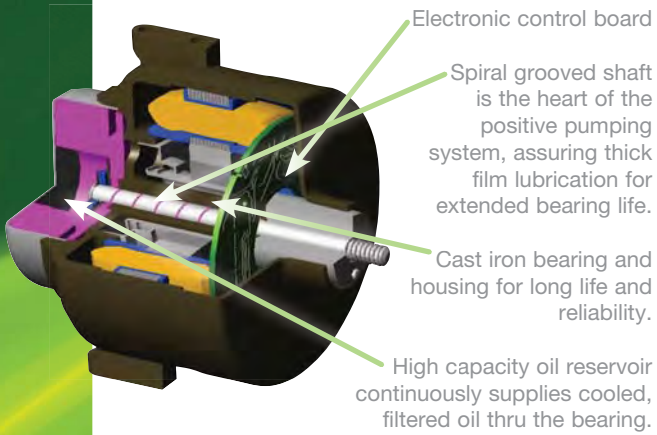
Direct Drop-In Replacement

Features:

- Advanced ECM Design
- Cast Iron
- 15" Leads
- Lyall Plug
- UL/CUL approved E128044
- Up to 65% Efficiency
- Wide temperature range oil for use in evaporators and condensers
- Tapped & Drilled Mounting Holes
 - Evaporator Mount
 - Standard 3-hole
 - Hussmann 4-hole style
 - Condenser Mount-Double Boss



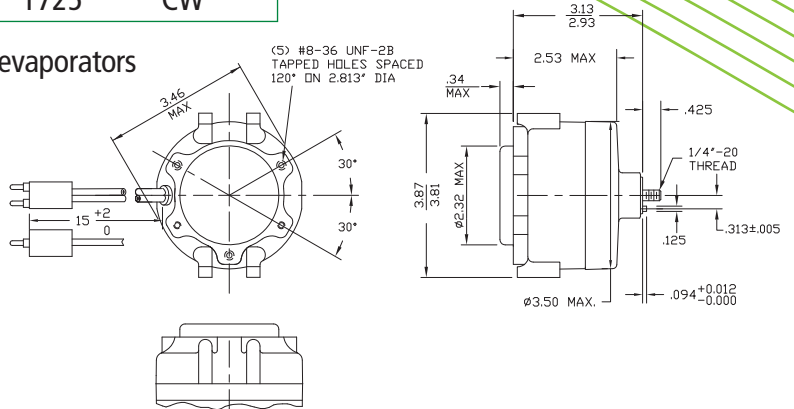
Stock No.	Watts	Volts	Amps	RPM	ROT OSE
9207F2	6,9,12	115	.20/.30	1550	CW
9208F2	14,15,16	115	.47/.58	1550	CW



Hussmann Replaces: 4410547, 441-547

Stock No.	Watts	Volts	Amps	RPM	ROT OSE
9211	13	115	.47	1725	CW

- Special shorter body length to fit Hussmann evaporators
- Low temperature oil for use in evaporators

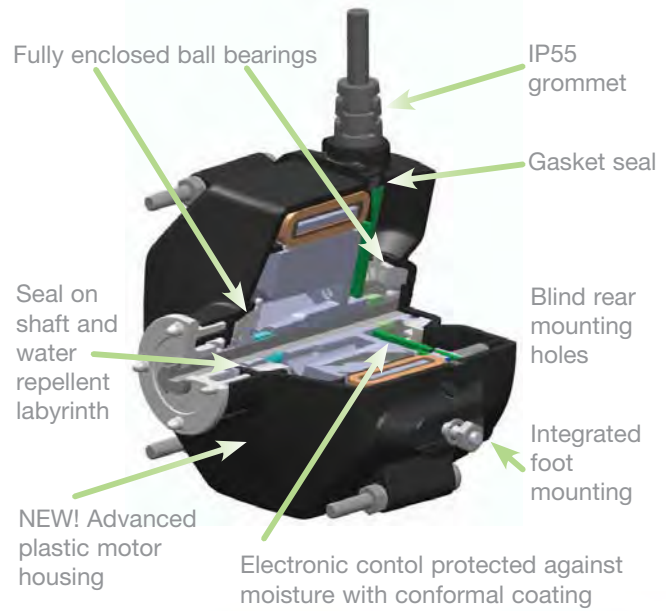


iMotor[®] Supermarket Case Evaporator Fan Motor

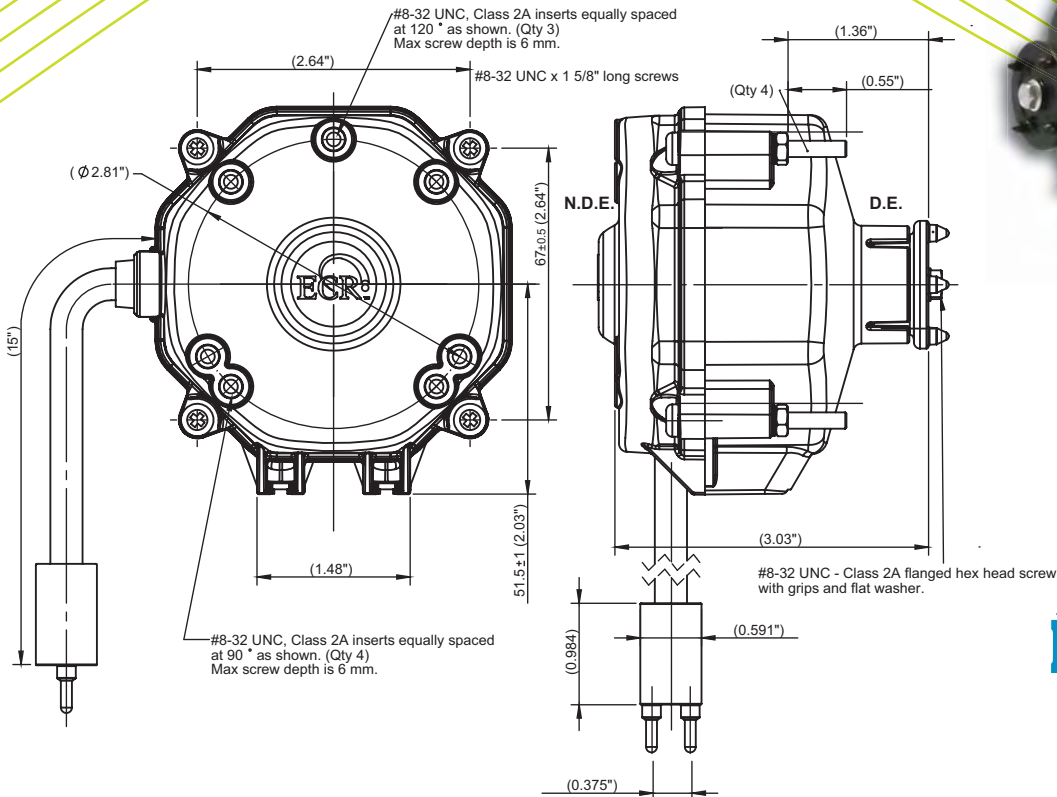
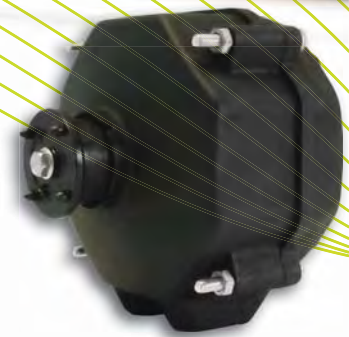
Direct Drop-In Replacement

Features:

- ECM, with integrated electronic control
- Uses 70% less energy than shaded pole motors
- -22°F to 122°F Operating temperature
- IP55 moisture and dust protection
- Ball bearing
- Plastic motor housing
- Evaporator mounting
 - Standard 3-hole
 - Hussmann 4-hole style
- 15" Leads
- Lyall plug
- UL/CUL approved



Stock No.	Watts	Volts	Amps	RPM	ROT	OSE
9212	6,9,12	115	.31	1550	CW	
9213	14,15,16	115	.41	1550	CW	



iMotor® Walk-In Cooler Evaporator Fan Motor

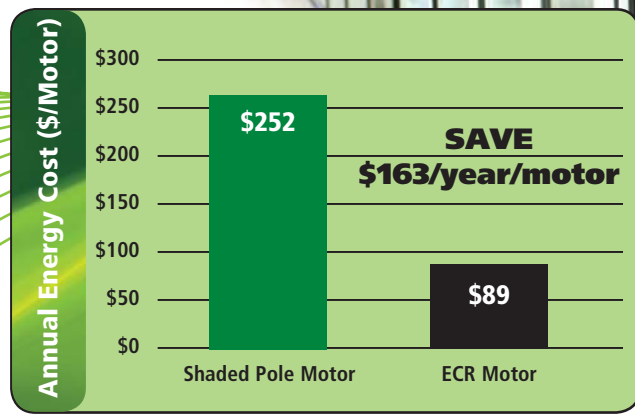
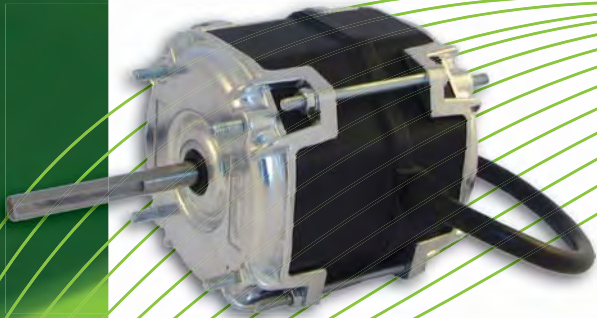
Direct Drop-In Replacement

Heatcraft Replacement Motors - Bohn, Chandler, Climate Control and Larkin

Features:

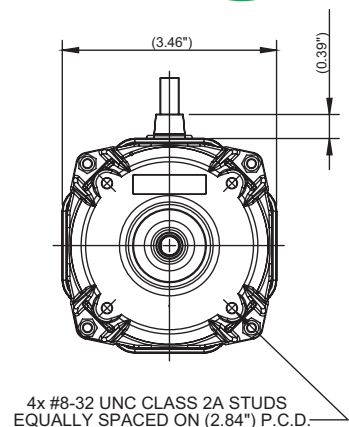
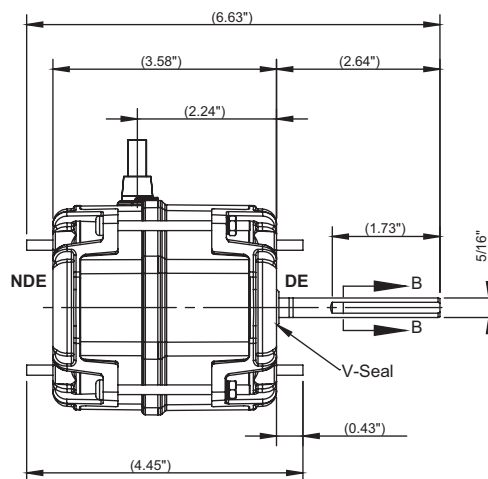
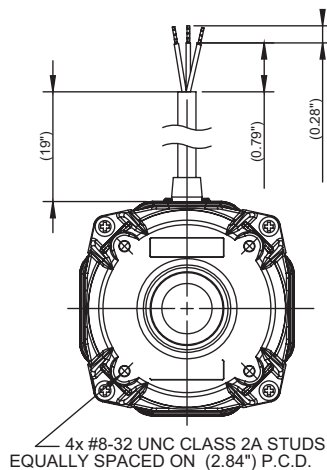
- ECM, with integrated electronic control
- Energy savings of ~ 65%
- -22°F to +104°F Operating temperature
- IP55 moisture and dust protection
- Ball bearing
- Plastic motor body and plastic components
- All-angle mount
 - 4 studs on each end
- 20" Leads
- UL/CUL approved

NEW!



Stock No.	HP	Volts	Amps	RPM	Hertz	Rotation
9214L	1/15, 1/20, 1/25	115	1.3	1550	60	Reversible
9214H	1/15, 1/20, 1/25	208-230	.63	1550	60/50	Reversible

Replaces 1/15, 1/20, 1/25 HP PSC and low efficient shaded pole designs



iMotor® Walk-In Cooler Evaporator Fan Motor

Direct Drop-In Replacement

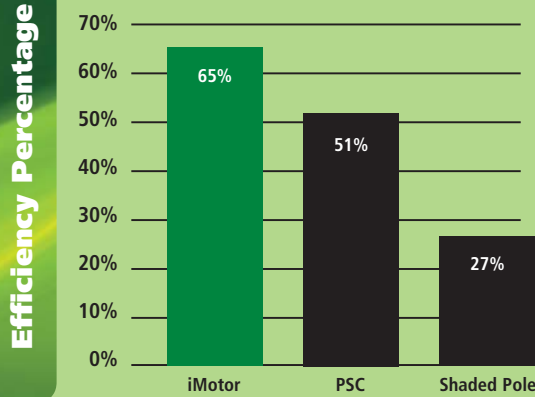
Heatcraft Replacement Motors - Bohn, Chandler, Climate Control and Larkin

NEW!

Features:

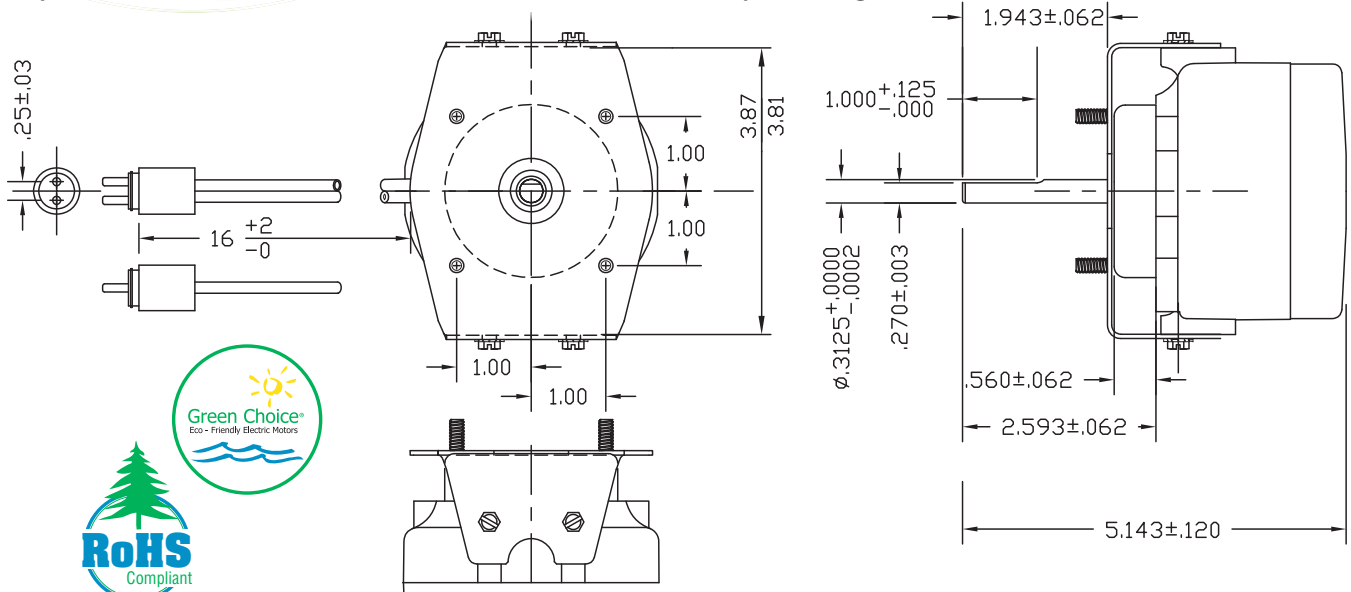
- Advanced ECM design
- Up to 65% efficiency
- -20°F to +104°F Operating temperature
- All-angle mount
 - 4 studs shaft end
- Unit bearing
- Cast iron
- 16" Leads
- Lyall plug
- UL/CUL approved E128044

Energy Savings ECM Design Comparison of 1/15 HP @1550 RPM



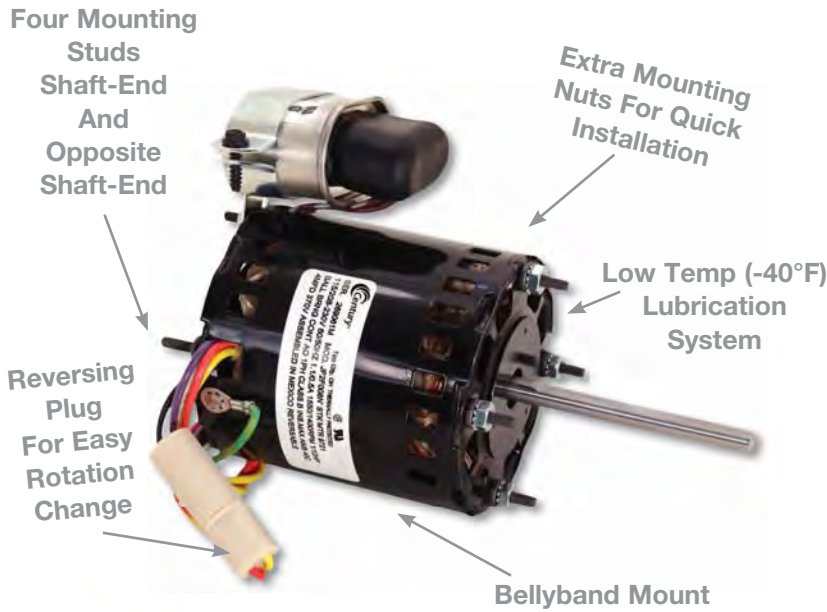
Stock No.	HP	Volts	Amps	RPM	Hertz	Rotation	OSE
9209L	1/15, 1/20, 1/25	115	1.25	1550	60	CCW	
9210L	1/15, 1/20, 1/25	115	1.25	1550	60	CW	
9209H	1/15, 1/20, 1/25	230	.77	1550	60	CCW	
9210H	1/15, 1/20, 1/25	230	.77	1550	60	CW	

Replaces 1/15, 1/20, 1/25 HP PSC and low efficient shaded pole designs

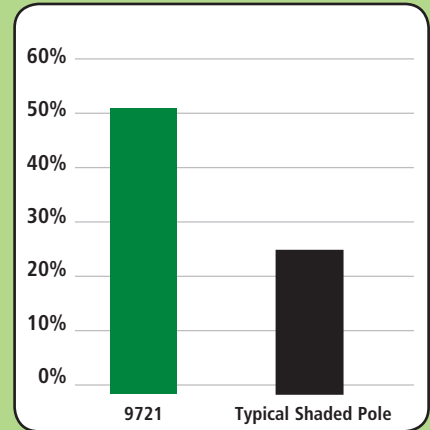


3-in-1™ Walk-In Cooler Evaporator Fan Motor

Heatcraft Replacement Motors - Bohn, Chandler, Climate Control and Larkin



50% More Efficient
than Shaded Pole Motors



Use of a permanent split capacitor design allows the motor to deliver more power, while producing less waste heat than a shaded pole design.

Features:

- Permanent split capacitor
- Low temperature oil for use in evaporators
- All angle mounting
 - Four studs on each end
 - Bellyband mount
- Reversing plug
- Easy-to-read connection diagram attached to white lead wire
- 20" Leads
- Ball bearing
- 3.3" Frame
- Class B Insulation
- 40°C Ambient
- UL and CSA Recognized



Stock No.	HP	Volts	Amps	RPM	Speed	Hertz	Rotation
9721	1/12, 1/15, 1/20	115/208-230	1.1/0.5	1550	1	60/50	Reversible

Replaces 1/12, 1/15, 1/20 HP operating at 115, 208 or 230 volts PSC and low efficient shaded pole designs

JuggerNaut® Condenser Fan Motor

Features:

- Inverter duty
- Removable 56H rigid base
- VCM™ - Voltage Change Module
- 70°C (158°F) max ambient
- Class F moisture resistant insulation
- Automatic overload protector
- Large water slinger
- Double sealed ball bearings
- Positioning lugs for easy belly-band mounting
- Energy-efficient three phase design
- Conductive bearing grease for inverter applications
- Quick connect design
- Shaft up mounting



**When you need
a motor that can
handle the severe
demands that
inverters create,
look no further than
JuggerNaut®**

- UL and CSA recognized Class F insulation for 70°C (158°F) max ambient conditions provides longer motor life.
- Inverter Duty Rated to be Corona Free with conductive bearing grease for reliable use with today's inverters.
- Voltage Change Module (VCM)™ – Our own quick connect voltage change device makes voltage changes quick and easy.
- Easy to remove 56H rigid base provides maximum mounting versatility and reduces inventory.
- JuggerNaut condenser fan motors are available in 1 HP, 1.5 HP and 2 HP at 1140 RPM and 1 HP and 1.5 HP at 850 RPM. All are three phase and 460/208-230 volt.



Class F Insulation

Inverter Duty

Removable Rigid Base

VCM™

Many retailers are now retrofitting inverters to their existing A/C and refrigeration equipment to save energy, only to discover that the OEM motors do not hold up to the strain that inverters place on them.
–JuggerNaut Inverter Duty motors are the solution!

Class F Insulation - 70°C (158°F) Max Ambient

Stock No.	HP	Volts	Amps	RPM	Speeds	Frame Size	Rotation	Type	Bearings	"C" Dim.	Shaft	Wt. (lbs)
H1050	1.0	460/208-230	2.2/4.0-4.4	1140	1	56H	Reversible	Three Phase	Ball	16.63	5/8" x 6.0"	29
H1051	1.5	460/208-230	2.9/5.8-5.8	1140	1	56H	Reversible	Three Phase	Ball	17.63	5/8" x 6.0"	38
H1052	2.0	460/208-230	3.7/7.0-7.4	1140	1	56H	Reversible	Three Phase	Ball	18.63	5/8" x 6.0"	45
H1053	1.0	460/208-230	2.6/5.0-5.2	850	1	56H	Reversible	Three Phase	Ball	18.63	5/8" x 6.0"	45
H1054	1.5	460/208-230	3.6/6.7-7.2	850	1	56H	Reversible	Three Phase	Ball	18.63	5/8" x 6.0"	45

Note: It is the responsibility of the installer to properly adjust the drive to the motor for the specific application. The correct volts/Hz settings are application specific and unique to each motor. Failure to perform proper set up can lead to substandard performance and /or premature failure of the system components.

Mfg Part No.	Century Stock No.	Mfg Part No.	Century Stock No.	Mfg Part No.	Century Stock No.
050-0241-0	9207F2, 9212	8987	H1052	SP-6L	9207F2, 9212
108	9207F2, 9212	8987V	H1052	SP-6S	9207F2, 9212
111147	H1050	9650	9209H, 9214H, 9721	SP-A4EV1	9207F2, 9212
111148	H1051	9651	9209L, 9214L, 9721	SP-A4L1	9207F2, 9212
112	9208F2, 9213	9652	9210H, 9214H, 9721	SP-B505SE191-C	9207F2, 9212
115778	H1050	9653	9210L, 9214L, 9721	SP-B505SE19-C1	9207F2, 9212
115779	H1051	9656	9721	SP-B5SE16	9207F2, 9212
117	9207F2, 9212	9664	9721	SP-B6E1	9207F2, 921
12-1575-01	9207F2, 9212	AA11	9207F2, 9212	SP-B6EM1	9207F2, 9212
12-1576-02	9207F2, 9212	AA13	9207F2, 9212	SP-B6EM19	9207F2, 9212
15244L	9207F2, 9212	AA17	9208F2, 9213	SP-B6EV101	9207F2, 9212
1818	H1050	AJ4H136J	9207F2, 9212	SP-B6HCEM1	9207F2, 9212
1818V	H1050	AK4H136J	9207F2, 9212	SP-B6L1	9207F2, 9212
1819	H1051	AM4109J	9207F2, 9212	SP-B6M1	9207F2, 9212
1819V	H1051	AM4207J	9207F2, 9212	SP-B6PEM1	9207F2, 9212
1820	H1050	AM4K17J	9207F2, 9212	SP-B6S1	9207F2, 9212
1820V	H1050	CFM3156A	H1050	SP-B6SE1	9207F2, 9212
1821	H1051	CFM3166A	H1051	SP-B6SE19	9207F2, 9212
1821V	H1051	D1101	9210L, 9214L, 9721	SP-B6SE191-C2	9207F2, 9212
1822	H1052	D1103	9210H, 9214H, 9721	SP-B6SE191-C3	9207F2, 9212
1822V	H1052	D1122	9721	SP-B9E1	9207F2, 9212
1828	H1053	D1123	9209H, 9214H, 9721	SP-B9EG1	9207F2, 9212
1828V	H1053	D1124	9209L, 9214L, 9721	SP-B9EM1	9207F2, 9212
2108	9207F2, 9212	D1125	9721	SP-B9EMV1	9207F2, 9212
2112	9208F2, 9213	D1126	9209H, 9214H, 9721	SP-B9HCEM1	9207F2, 9212
2117	9207F2, 9212	D1127	9721	SP-B9L1	9207F2, 9212
243C011H01	9207F2, 9212	D1152	9209L, 9214L, 9721	SP-B9M1	9207F2, 9212
25308601	9721	D1154	9721	SP-B9PEM1	9207F2, 9212
25309101	9721	D189	9210H, 9214H, 9721	SP-B9S1	9207F2, 9212
253-1194	9210L, 9214L, 9721	D425	9207F2, 9212	SP-B9SE1	9207F2, 9212
2531194	9210L, 9214L, 9721	D429	9207F2, 9212	SP-B9SE191-C1	9207F2, 9212
2531195	9210L, 9214L, 9721	D436	9208F2, 9213	SP-BEP9A6564A	9207F2, 9212
253-1196	9210H, 9214H, 9721	D437	9208F2, 9213	UEM1061	9207F2, 9212
332417-001	9207F2, 9212	D441	9207F2, 9212	UEM1061AL	9207F2, 9212
332418-011	9207F2, 9212	D6608	H1050	UEM1091	9207F2, 9212
441-547	9211	D6610	H1051	UEM1091AL	9207F2, 9212
4410547	9211	FA33HXBN126	9207F2, 9212	UEM1161	9208F2, 9213
5008SS	9209L, 9214L, 9721	HC09DZ115	9207F2, 9212	UTB1CB1551E56	9207F2
5008TS	9209H, 9214H, 9721	MOT 6259	9207F2, 9212	UTB1CB1551E6	9207F2
5034MS	9209H, 9214H, 9721	MOT 6260	9207F2, 9212	UTB1CB1551EB	9207F2
7071061	9721	MOT 6262	9208F2, 9213	UTB1CB1551EM56	9207F2
7163-2113	9210L, 9214L, 9721	P257-5311	9207F2, 9212	UTB1CB1551EM56	9208F2
7163-2135	9210H, 9214H, 9721	P257-5411	9207F2, 9212	UTB1CC151E6	9208F2
7163-3371	9210H, 9214H, 9721	P257-5811	9208F2, 9213	X502	H1050
7163-7495	9210L, 9214L, 9721	PD1125	9721	X503	H1051
7190-0442	9721	PD1127	9721	X507	H1053
7190-2084	9721	RE406	9207F2, 9212	X509	H1052
7190-2255	9721	RF108	9207F2, 9212	X513	H1050
7190-2285	9209H, 9214H, 9721	RF112	9208F2, 9213	X523	H1051
8034LS	9209L, 9214L, 9721	RF117	9207F2, 9212	X525	H1052
82506	9209L, 9214L, 9721	SP-6B	9207F2, 9212	X528	H1053
82507	9209H, 9214H, 9721	SP-6E	9207F2, 9212	X530	H1054
835436001	9209H, 9214H, 9721	SP6L	9207F2, 9212	X531	H1054

See Century Electric Motors Website, Advanced Catalog Search, for additional cross reference:
www.centuryelectricmotor.com



A Regal Brand



www.regalbeloit.com