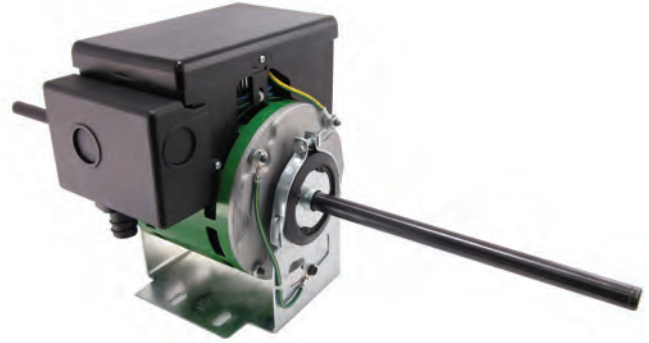


# PERFECTSPEED® 120 42 Frame EC Motor

## Compact ECM Solution for Small Fans and Blowers



- ECM technology means 25% to 30% improvement in efficiency over 42 frame PSCs
- Flexible mechanical designs integrates into single or dual blowers as well as fan applications
- Tri-voltage design helps reduce SKUs and inventory
- Based on Nidec's proven ECM design for quiet, reliable operation



### Product Overview

The PERFECTSPEED® 120 EC motor provides high efficiency and precise airflow control in a 42 frame package. Meeting the demand for EC technology in lower horsepower applications, the PERFECTSPEED® 120 motor offers unparalleled flexibility, with a wide range of voltage and control inputs all in a single rating. Whether in a dual shaft blower or an axial fan, the PERFECTSPEED® 120 provides EC efficiency to a variety of applications.

### Key Features and Benefits

- Available in single and dual shaft configurations.
- Tri-voltage (115 through 277V) means one model for multiple applications
- Multiple input options compatible with a wide variety of control systems
- Fully programmable to the specific application
- Integrated motor and control



### Specifications

**Horsepower:** 1/8, 1/4 HP

**Voltage:** 115/230/277V (tri-voltage)

**Speeds:** 300-1800 RPM, Full torque down to 1200 RPM

**Inputs:** 0-10V, PWM or 3 - 24V Speed Taps

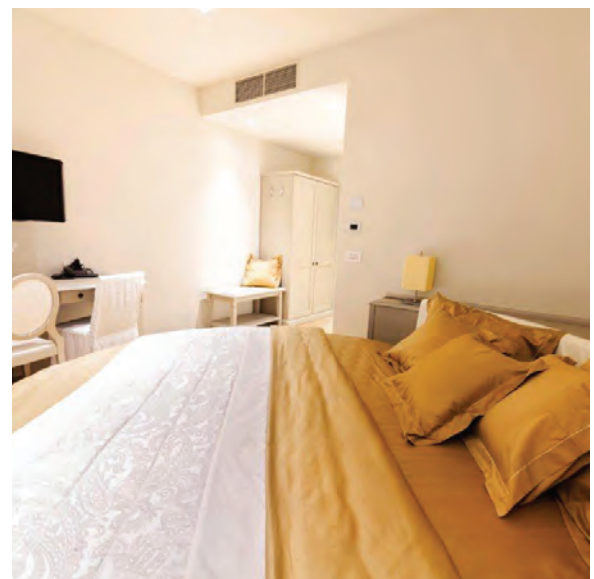
**Operation Modes:** Constant Torque, Constant Speed

**Frame:** NEMA®† 42

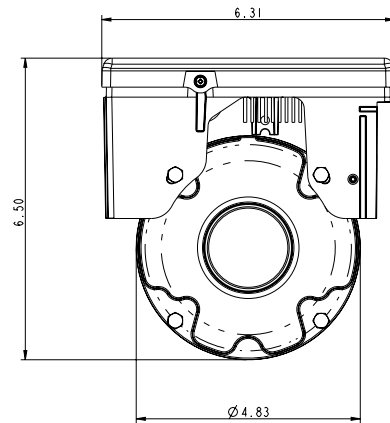
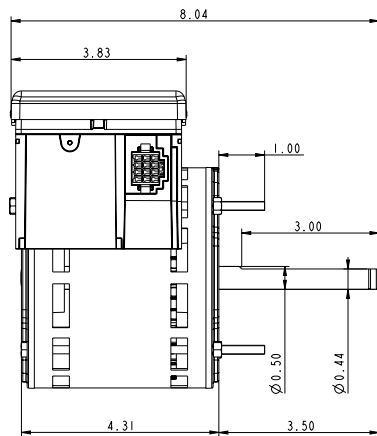
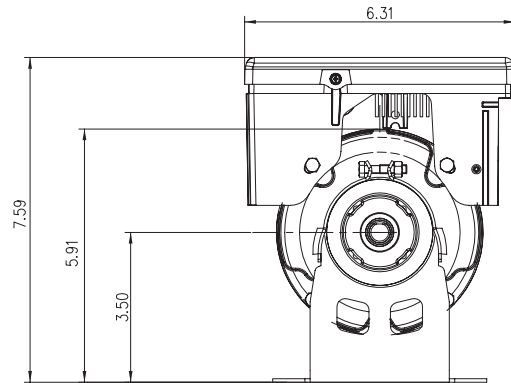
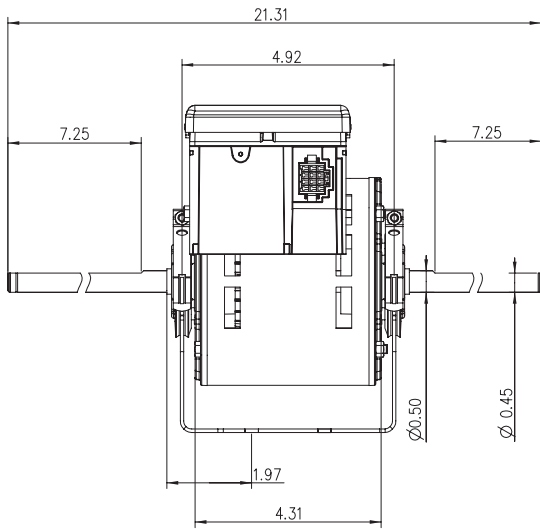
**Enclosure:** Open Air Over (OAO)

**Efficiency:** Up to 80%

**Mounting:** Resilient, Stud or Belly Band



Dimension Print



† All marks shown within this document are properties of their respective owners.

Nidec Motor Corporation, 2011; All Rights Reserved. U.S. MOTORS® is a registered trademark of Nidec Motor Corporation. Nidec Motor Corporation trademarks followed by the ® symbol are registered with the U.S. Patent and Trademark Office.