

ECOAPEX™ 48 EC Condenser Fan Motor

High Efficiency ECM for Residential & Commercial HAC Condenser Fans



- Robust EC motor designed specifically for outdoor condenser applications
- Multiple mounting positions to fit a wide range of condenser designs
- ECM efficiency supports high SEER targets in air conditioning system
- Utilizes conventional 48fr mounting configurations



Product Overview

Designed to stand up to the harsh environment and temperatures found in outdoor condensing units, the ECOAPEX™ 48 EC condenser fan motor provides the efficiency required for high SEER air conditioning systems in a robust package. Able to operate at 2 programmable speeds or fully variable, the ECOAPEX™ 48 motor provides precise airflow control.

Key Features and Benefits

- PWM control signal provides full airflow modulation
- 3 discrete speeds using the 2–24V speed taps
- TEAO motor can be mounted at any angle
- High 60°C max ambient operating temperature

Specifications

Horsepower: 1/3 HP

Voltage: 1Ø, 208 - 230 Volts

Speeds: 300 - 1200 RPM

Inputs: PWM, 2 - 24V Speed Taps

Operation Modes: Constant Speed

Frame: NEMA® 48

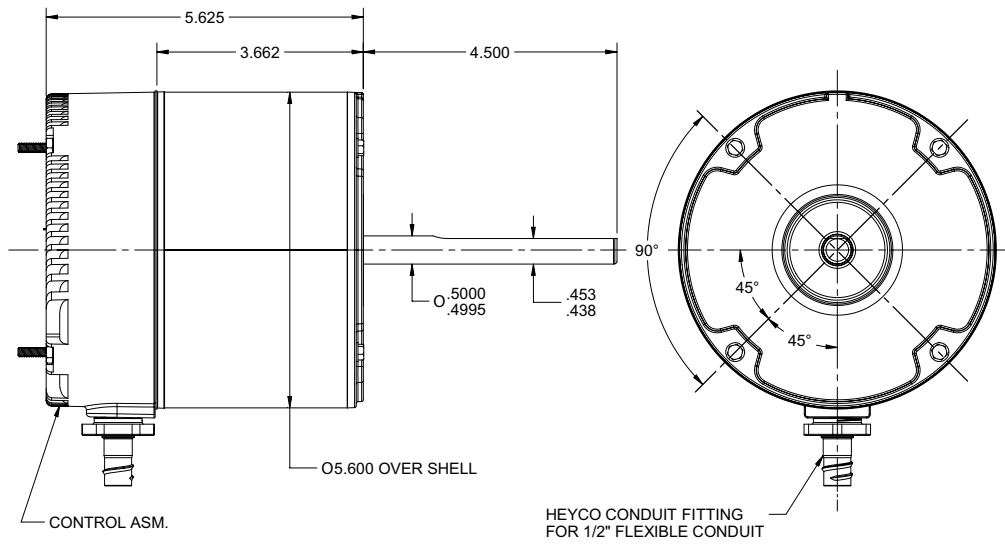
Enclosure: Totally Enclosed Air Over (TEAO)

Efficiency: Up to 75%

Mounting: Belly-band, Stud Mount, Shaft Up or Shaft Down Orientation



Dimension Print



† All marks shown within this document are properties of their respective owners.

Nidec Motor Corporation, 2011; All Rights Reserved. U.S. MOTORS® is a registered trademark of Nidec Motor Corporation. Nidec Motor Corporation trademarks followed by the ® symbol are registered with the U.S. Patent and Trademark Office.